

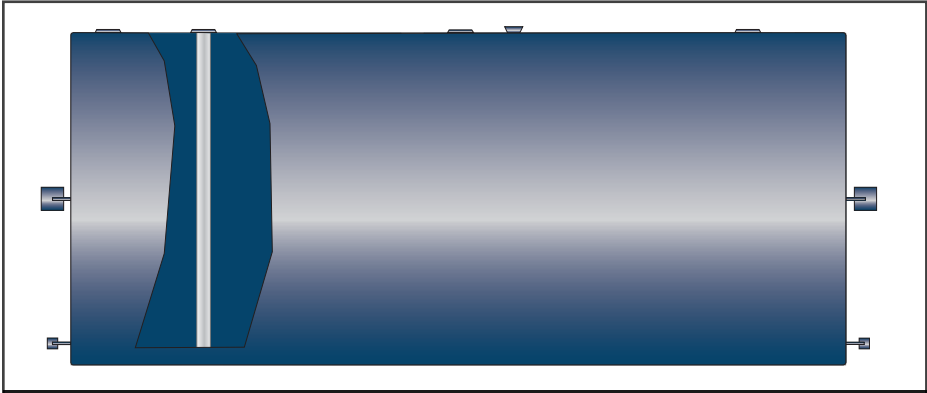


INSTALL Service Station



Built from the Underground Up

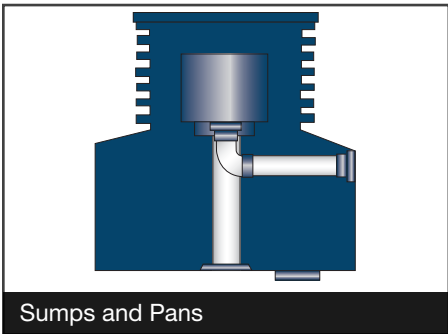
Storage Tanks - Dispensing Equipment - POS Systems



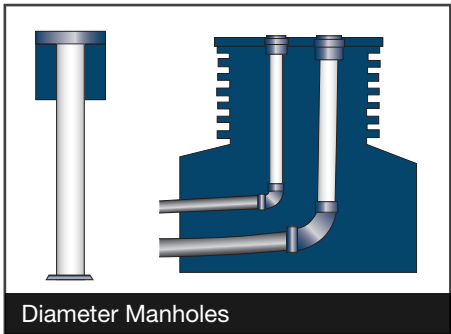
Double Wall Tanks



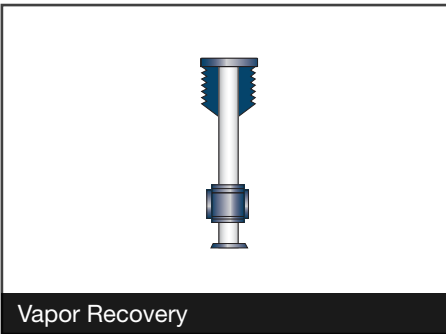
Retail Spill Containment



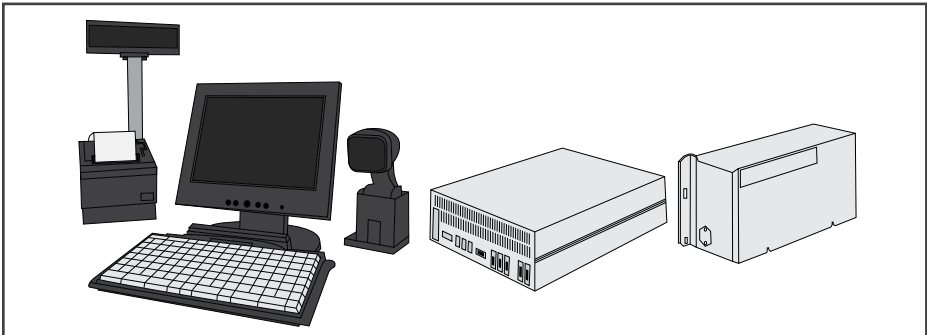
Sumps and Pans



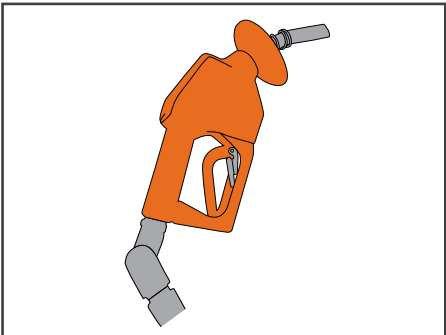
Diameter Manholes



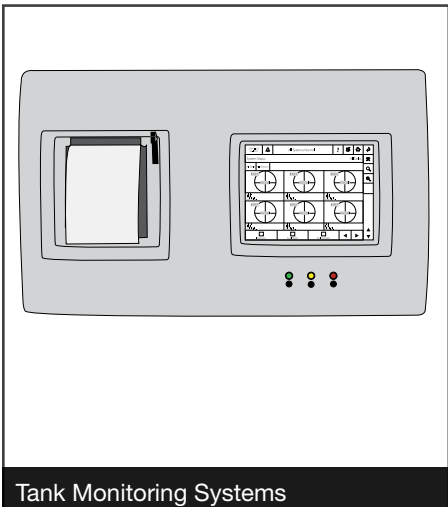
Vapor Recovery



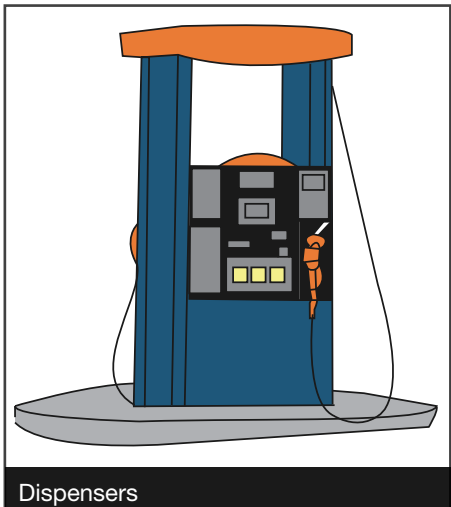
Point of Sale Systems



Parts



Tank Monitoring Systems



Dispensers



Lights

